



## NJ 2216 ECM

- SKF Explorer

### Cylindrical roller bearings, single row

#### Bearing data

[Tolerances,](#)

Normal (metric), P6, Normal (inch),

[Radial internal clearance,](#)

cylindrical bore, tapered bore,

[Axial internal clearance,](#)

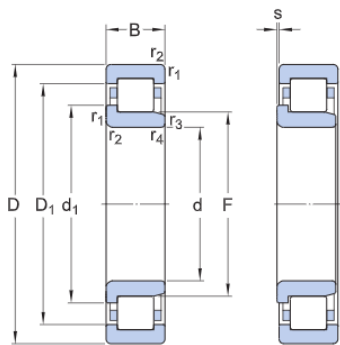
NUP, NJ + HJ

#### Bearing interfaces

[Seat tolerances for standard conditions,](#)

[Tolerances and resultant fit](#)

## Technical specification

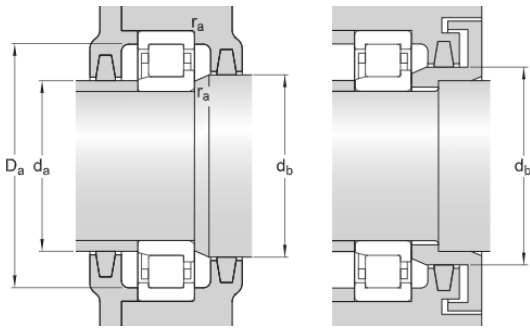


### DIMENSIONS

d	80 mm	Bore diameter
D	140 mm	Outside diameter
B	33 mm	Width
d1	≈101 mm	Shoulder diameter of inner ring
D1	≈121.7 mm	Shoulder diameter of outer ring
F	95.3 mm	Chamfer dimension of loose flange ring
r1,2	min.2 mm	Chamfer dimension
r3,4	min.2 mm	Chamfer dimension
s	max.1.4 mm	Permissible axial displacement

### ABUTMENT DIMENSIONS

da	min.90 mm	Diameter of spacer sleeve
da	max.93 mm	Diameter of spacer sleeve
db	min.104 mm	Diameter of shaft abutment
	max.129.8 mm	Diameter of



$D_a$	mm	housing abutment
$r_a$	max.2 mm	Radius of fillet

## CALCULATION DATA

Basic dynamic load rating	C	212 kN
Basic static load rating	$C_0$	245 kN
Fatigue load limit	$P_u$	31 kN
Reference speed		5 300 r/min
Limiting speed		5 600 r/min
Minimum load factor	$k_r$	0.2
Limiting value	e	0.3
Axial load factor	Y	0.4

## MASS

Mass	2.27 kg
------	---------

## ASSOCIATED PRODUCTS

Angle ring	HJ 216 EC
------------	-----------